

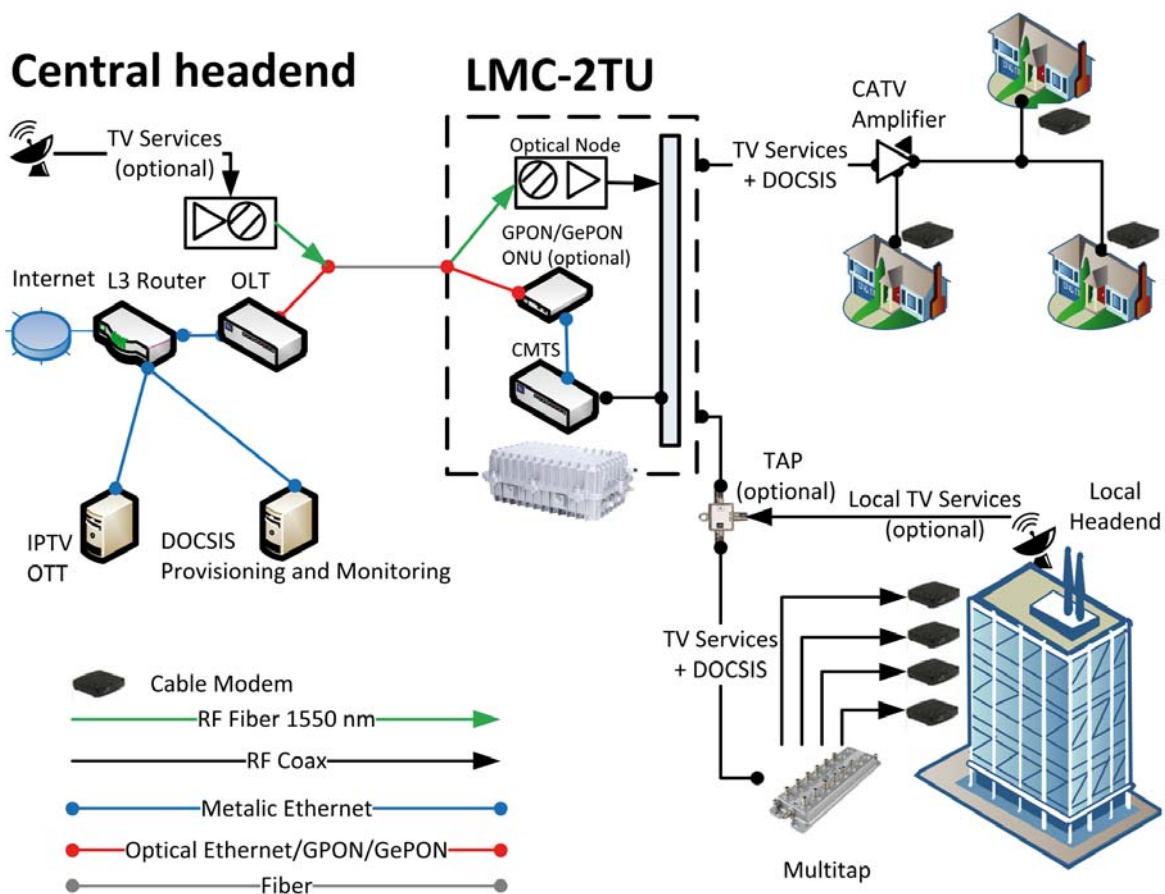
Are you building PON networks, but new cabling is not possible in some places?
Then the current coax can be used!

miniCMTS LMC-2TU



The LMC-2TU is designed for (FTTB) termination of PON networks in residential buildings or small outlying areas. Thanks to low power consumption, passive cooling system etc., it is a „Cost effective“ product. The CMTS price includes also integrated optical node, amplifier and xPON ONU.

- capacity: 16 DS / 2 US ~ 800 Mbps / 55 Mbps,
- supports 200 D2.0 or 100 D3.0 modems or their combination,
- integrated optical node allows centralized RF TV distribution,
- RF amplifier for TV and downstream,
- integrated GPON or GEPON ONU,
- up to 8 IPQAM for DVB-C broadcasting,
- outdoor housing, IP65 protection,
- low power consumption ≤ 50 W,
- passive cooling system,
- typical use-case: PON networks & coaxial distribution to customers,
- ideal for buildings where coaxial distribution is already in place and new cabling is not allowed,
- fast installation, compatible with IPTV and OTT.



Are you building PON networks, but new cabling is not possible in some places?
Then the current coax can be used!

miniCMTS LMC-2TU



Module	Parameter	LMC-2TU
Main	DOCSIS compatibility	EuroDOCSIS 2.0 and 3.0
	IPQAM (DVB-C)	Up to 8 Downstream channels
Downstream	QAM standards	Annex A, B
	QAM modulation	64QAM, 256QAM
	Channels	16
	Throughput (customers)	800 Mbps (16x Annex A, QAM256)
	Frequency range	87 MHz – 1000 MHz
	Channel width	8 MHz (Annex A) or 6 MHz (Annex B)
	Max. output power (amplified, AGC)	110dB μ V (16x DS 8MHz)
	MER after equalization	> 42 dB
Upstream	Upstream modulation	QPSK, 16QAM, 64QAM; ATDMA, SCDMA
	Channels	2
	Throughput (customers)	50 Mbps (2x 6,4MHz, QAM64)
	Frequency range	5 MHz – 65 MHz
	Internal Input Levels	-13 dBmV to +23 dBmV / 47-83 dB μ V
RF part	RF ports	fiber in + 2 RF out
Network	Port speed	1 Gbps
	Port Types	1x RJ45 (occupied if ONU present) + 1x SFP
	Management protocols	HTTP, CLI, SNMP, (SSH, TELNET)
xPON ONU	PON Interface	1Gbps symmetrical, SC / PC
	Optical Receiver	Sensitivity -26dBm
	Optical Transmitter	Power Level 2 .. 7 dBm
	Security	ONU authentication mechanism
Functions	Max. Cable Modems	DOCSIS 2.0: 200; DOCSIS 3.0: 100 with bonding 8x2
	Dynamic load balancing	Supported
	DHCP Relay	Option 60, Option 82
	DHCP & TFTP	Internal DHCP & TFTP server for CM Included
	QoS	Supported
	VLANs (802.1q)	Supported
Other	Housing	Outdoor, IP65
	Environment	Operating Temperature: -20 °C to +70 °C
		Humidity: 10% - 90%
	Power supply	40-75V AC; 90-260V AC 50/60 Hz
		Power consumption <= 50 W
	Dimensions	331x245x150mm
Weight	5.7 Kg	